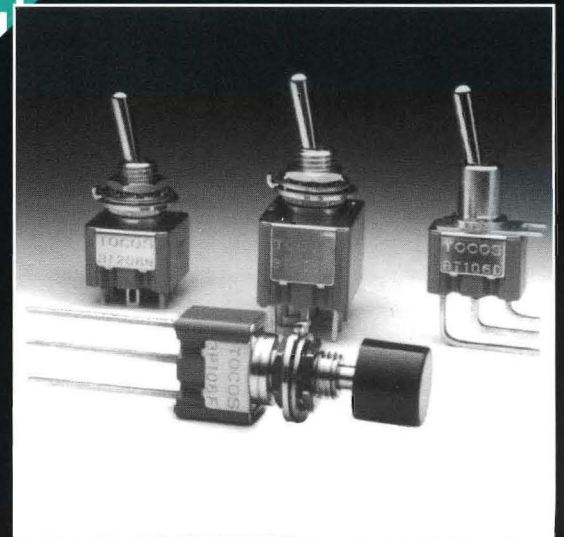


TOCOS



Miniature Toggle and Push Button Switches Selection Guide

Series 3T and 3P

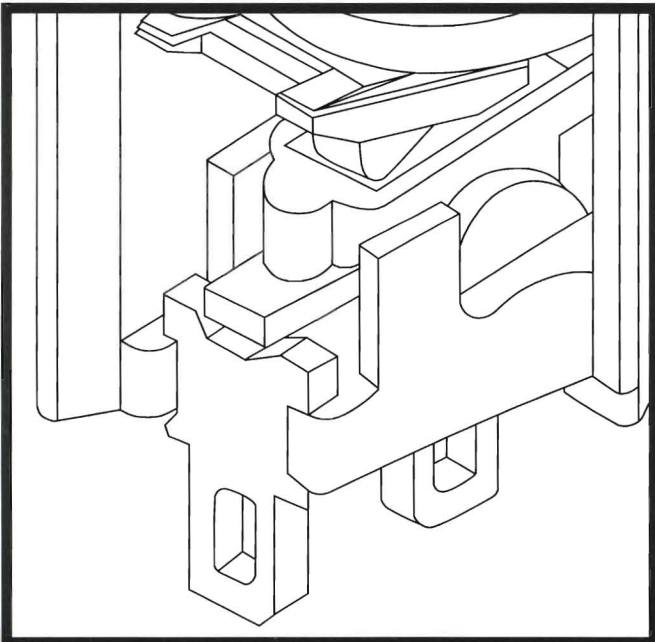
General

Specifications

Contact Rating:	06; 6A @ 125 VAC, 3A @ 250VAC
(Resistive Load)	03; 3A @ 125VAC, 3A @ 250VAC 01; 1A @ 125VAC, 50mA @ 28VDC
Contact Resistance:	06; 10m Ω Max.
(Initial)	03; 10m Ω Max. 01; 20m Ω Max.
Insulation Resistance:	1,000 M Ω Min., @ 500VDC
Dielectric Strength:	Terminal-Terminal, 1,000VAC
(Sea Level)	Terminal-Housing (GND), 1,500VAC
Electrical Life:	25,000 cycles (make-and-break)
(Resistive Load)	
Mechanical Life:	100,000 cycles
Operating Temperature:	-20°C to +80°C
Vibration:	10 to 55Hz, 1.5mm 3 directions, 2 Hrs. EA
Shock:	50G, 11msec, 3 directions
High Temperature Exposure:	70°C ± 2°C, 16 Hrs.
Low Temperature Exposure:	-25°C ± 3°C, 2 Hrs.
Soldering Heat:	350°C ± 10°C, 3 sec.

Construction

Two-Points of Contact



Materials and Finishes

Case:	Diallyl Phthalate (DAP), 94-Vo
Toggle Handle:	Brass, chrome plated
Bushing:	Brass, nickel plated
Housing:	Stainless steel
End Contact:	See Table
End Terminal:	See Table
Center Contact & Terminal:	Brass, Silver plated
Hardware:	
Nut —	Brass, nickel plated
Locking Ring —	Steel, zinc plated
Lockwasher —	Steel zinc plated

Contact Rating vs Contact Materials

Contact Rating	Materials		Finishes
	End Contact	End Terminal	
06	Coin-Silver	Brass	Silver
03	Copper	Copper	Silver
01	Copper	Copper	Silver

UL Listed CSA Listed

Scope




Series:	3T and 3P
Current Rating:	06; 6A @ 125VAC, 3A @ 250VAC 03; 3A @ 125VAC, 3A @ 250VAC

Series 3T and 3P

Ordering Information

3T	F	1	06	D	G	P/C
Series	Actuator	Pole	Contact Rating	Switch Function	Plating	Terminals
Blank	Standard	1 1P			Blank	Blank Solder Lug
S	Short	2 2P			G	P/C Printed Circuit
L	Long	3 3P				W/W Wire-Wrap
F	Flatted	4 4P				R/A Right Angle
FS	Flatted & Short					V/M Vertical Mount
FL	Flatted & Long					B/M Support Mount
K	Locking					
T	Plastic	06	6A AC 125V 3A AC 250V	1,3P		
J	Large Toggle	03	3A AC 125V 3A AC 250V	D	N	On — On
E	Lever Handle	01	1A AC 125V 50mA DC28V	E	P	On Off On
R	Rocker	00	50mA DC28V (For Low Current)	F	R	On — (On)
W	W/Splashproof			G	S	(On) Off (On)
				H	T	On Off (On)
					PA	On On On
					SA	(On) On (On)
					TA	On On (On)



(On): Indicates Momentary

Model				Switch Functions		
SPDT	DPDT *SP3T	3PDT	4PDT *DP3T			
3T106D	3T206N	3T306D	3T406N	ON	—	ON
3T106E	3T206P	3T306E	3T406P	ON	OFF	ON
3T106F	3T206R	3T306F	3T406R	ON	—	(ON)
3T106G	3T206S	3T306G	3T406S	(ON)	OFF	(ON)
3T106H	3T206T	3T306H	3T406T	ON	OFF	(ON)
	*3T206PA		*3T406PA	ON	ON	ON
			*3T406SA	(ON)	ON	(ON)
			*3T406TA	ON	ON	(ON)

Consult Tocos for details.

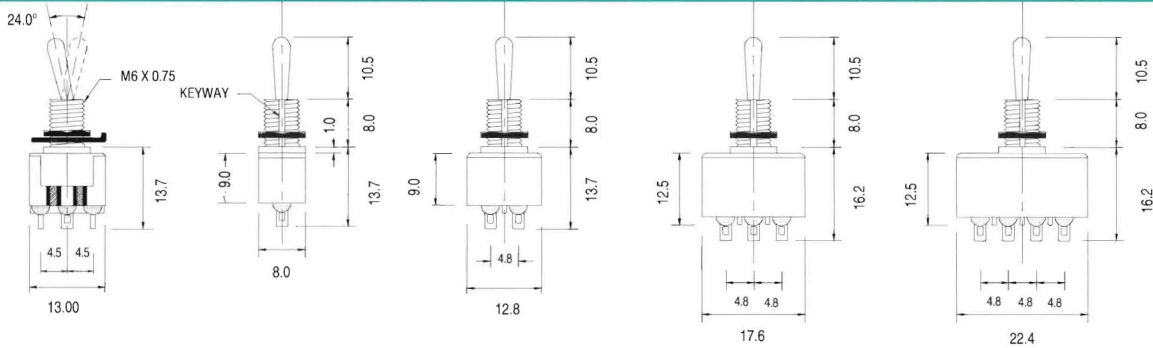
3P	J	1	06	D	G	P/C
Series	Actuator	Pole	Contact Rating	Switch Function	Plating	Terminals
Blank	Standard	1 1P			Blank	Blank Solder Lug
J	Large	2 2P			G	P/C Printed Circuit
W	W/Splashproof					W/W Wire-Wrap
						R/A Right Angle
						V/M Vertical Mount
						B/M Support Mount
		06	6A AC 125V 3A AC 250V	1P		
		03	3A AC 125V 3A AC 250V	D	N	On — On
		01	1A AC 125V 50mA DC28V	F	R	On — (On)

(On): Indicates Momentary

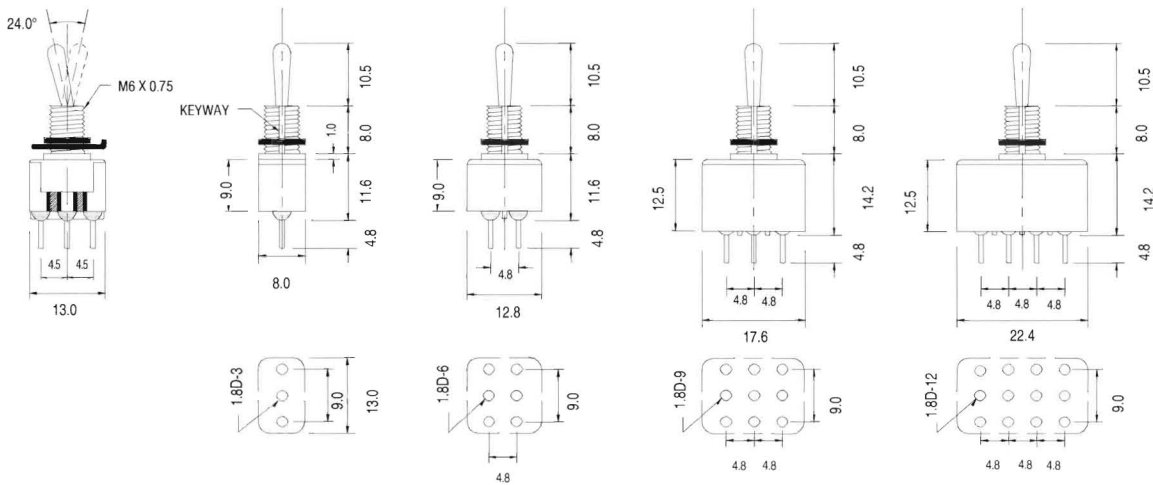
Model		Switch Functions	
SPDT	DPDT		
3P106D	3P206N	ON	ON Alternate
3P106F	3P206R	ON	(ON) Momentary

Series 3T Toggle Switches

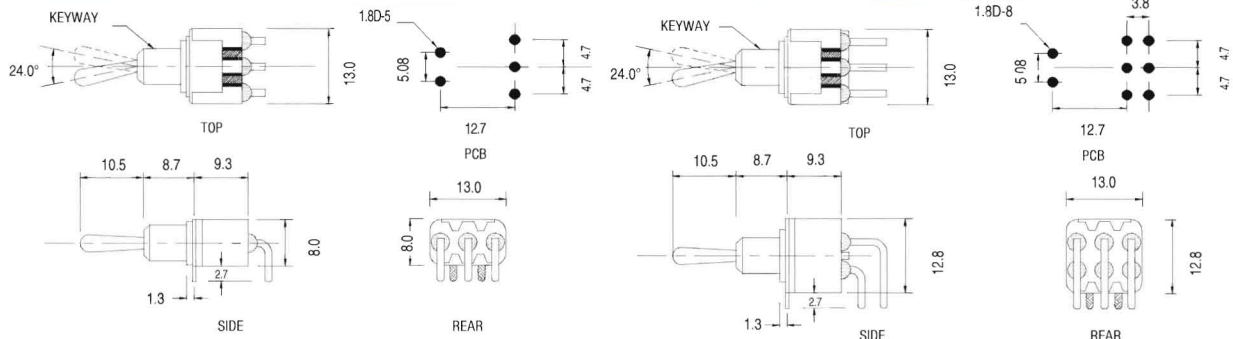
3T Solder Lug SPDT 2PDT 3PDT 4PDT



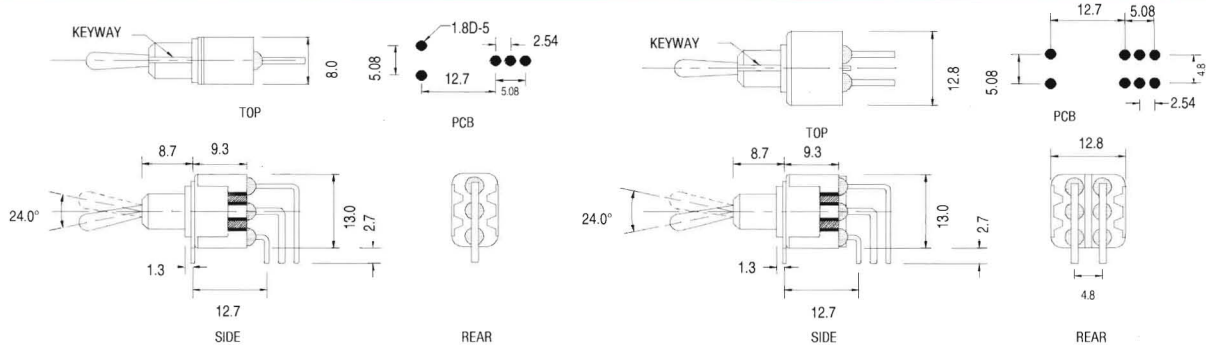
3T Printed Circuit (P/C) SPDT 2PDT 3PDT 4PDT



3T Right Angle (R/A) SPDT 2PDT



3T Vertical Mount (V/M) SPDT 2PDT



Series 3P Pushbutton Switches

3P Solder Lug

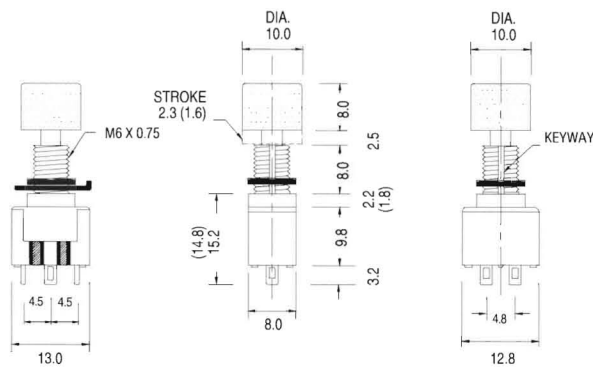
SPDT

DPDT

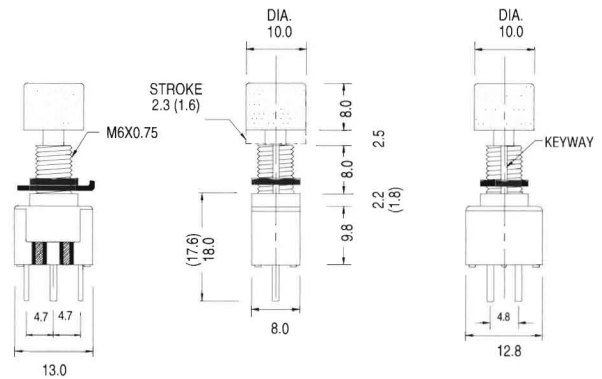
3P P/C Mount P/C

SPDT

DPDT



() Momentary

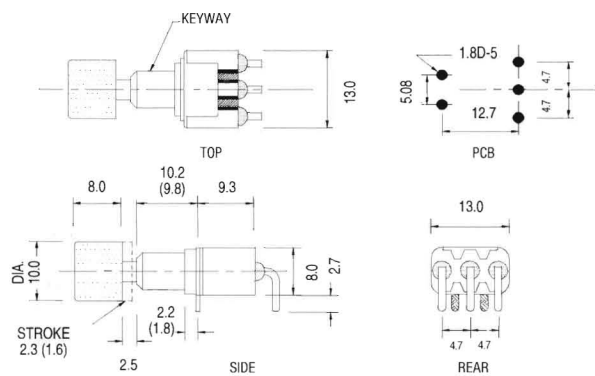


() Momentary

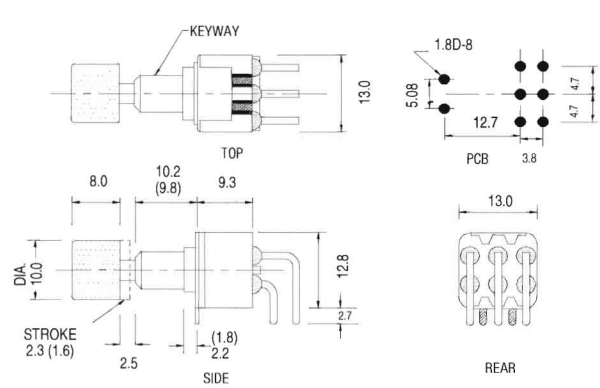
3P Right Angle (R/A)

SPDT

DPDT



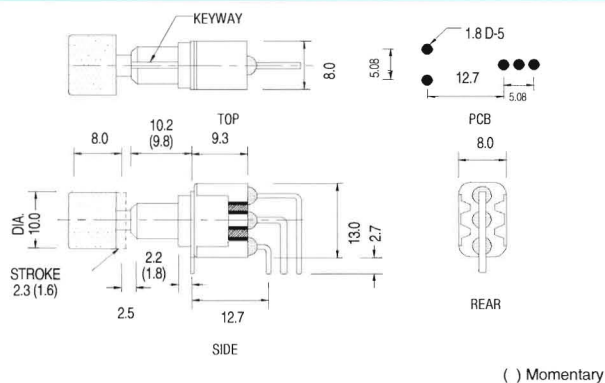
() Momentary



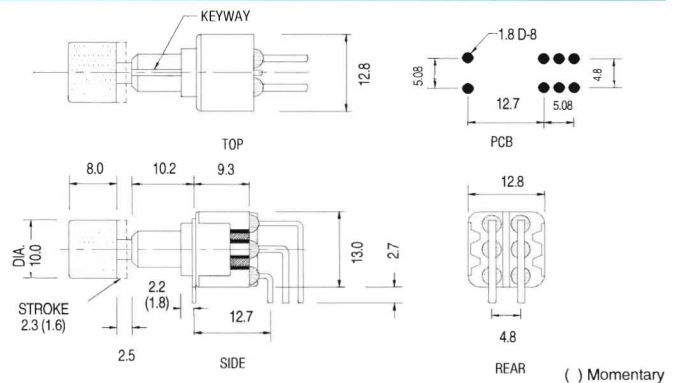
() Momentary

3P Vertical Mount (V/M) SPDT

DPDT



() Momentary



() Momentary

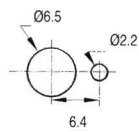
Actuators for Series 3T

Example: 3TS106D, for short (S) toggle.

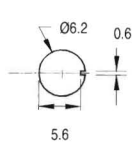
Short (S)	Standard	Long (L)	Large Toggle (J)		
Flatted Short (FS)		Flatted (F)		Flatted Long (FL)	
Locking (K)	Plastic (T)*	W/Splashproof (W)			
				<p>*Plastic tip (T) colors: Red, Black, Blue, Green, Yellow, Gray, White.</p>	

Panel Layout

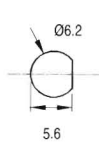
Standard W/Locking Ring



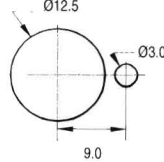
Standard W/O Locking Ring



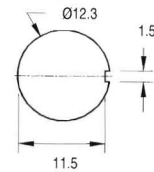
Standard W/Splashproof



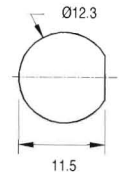
Large W/Locking Ring



Large W/O Locking Ring



Large Toggle W/Splashproof



Toggle Caps for Series 3T

Plastic * (R)	Plastic * (S)	Metal (AL)	Rubber (M6)	Rubber (M12)

Actuators for Series 3P

Standard (3P) *	W/Splashproof (3PW) *	Large (3PJ)

Hardware

<p>Mounting Nut (HEX)</p>	<p>Lockwasher</p>
<p>Locking Ring</p>	<p>Mounting Nut (ROUND)</p>

Designation of Actuator Caps:

- 1) **For Toggle 3T Series**
Plastic (R) & (S)
3T106D with Red Cap (R)
- 1a) **Metal (AL): Ni Plated, Black, Red, Blue**
- 2) **For Push-Button 3P Series**
3P106D with Red Button

***Colors:** For Plastic Toggle and Push-Button Caps.
Red, Black, Green, Blue, Yellow, Gray, White
Black is the standard.

SP Switches

Specifications:

Contact Rating (Resistive Load):
3A @ 125 VAC

Contact Resistance (Initial):
Max. 20 milli-ohm

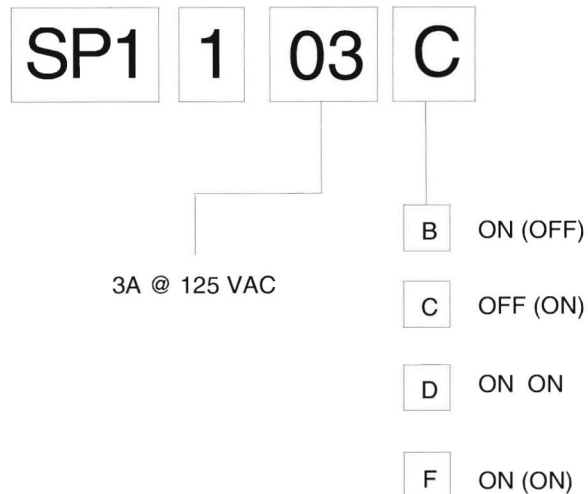
Insulation Resistance:
Min. 100meg-ohm @ 500 VDC

Dielectric Strength:
1000 VAC, 1 Min.

Electrical Life (Resistive Load):
Min. 10,000 cycles

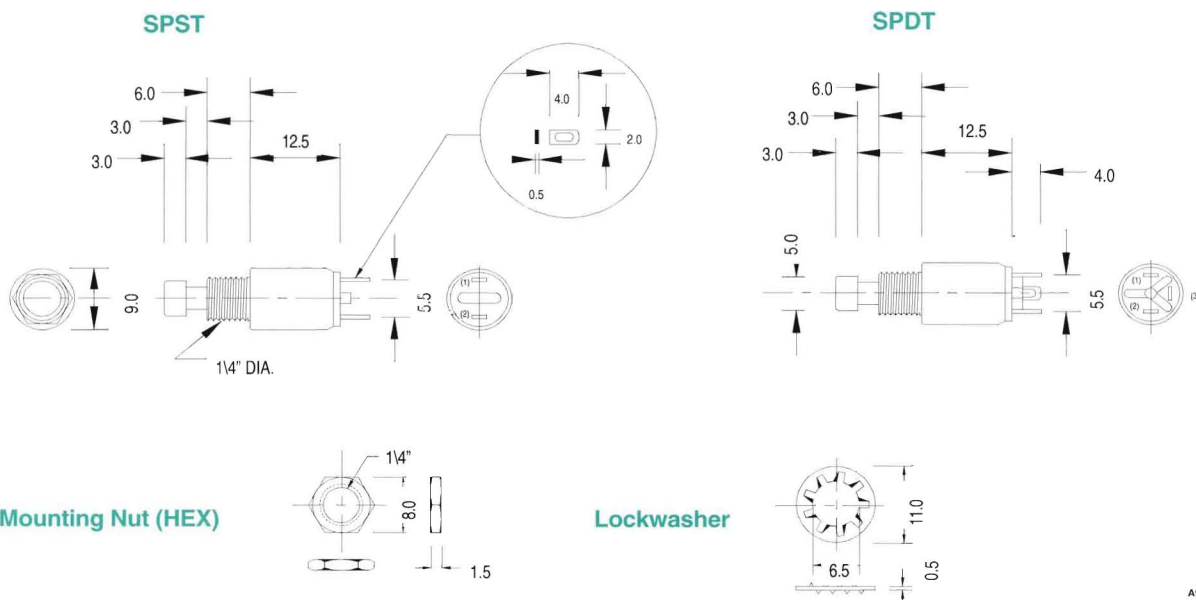
Mechanical Life:
Min. 30,000 cycles

Operating Temperature:
-20C to +70C



CIRCUIT	PART NUMBER	CONTACT RATING	SWITCH FUNCTION	
SPST	SP1103B	3A 125 VAC	ON 1-2	(OFF) -----
	SP1103C		OFF -----	(ON) 1-2
SPDT	SP1103D		ON 2-3	ON 1-2
	SP1103F		ON 2-3	(ON) 1-2

() Indicates Momentary



TOCOSAMERICA

1177 E. Tower Road, Schaumburg, IL 60173
708-884-6664 FAX 708-884-6665

